

First Name:

Last Name:

Street Address:

City:

State:

Zip:

Phone:

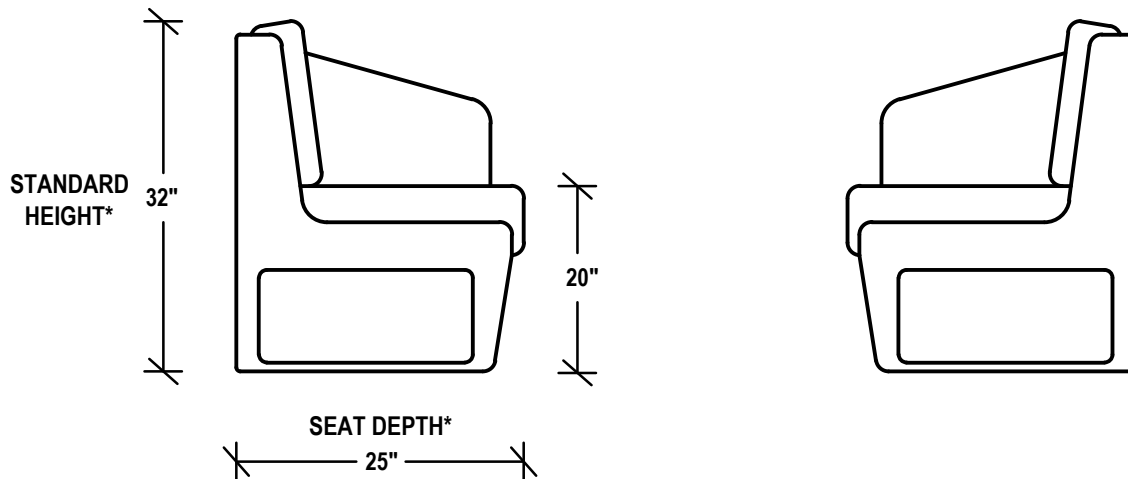
Motor Coach Brand:

Model:

**1. CHECK FOR OBSTRUCTIONS**

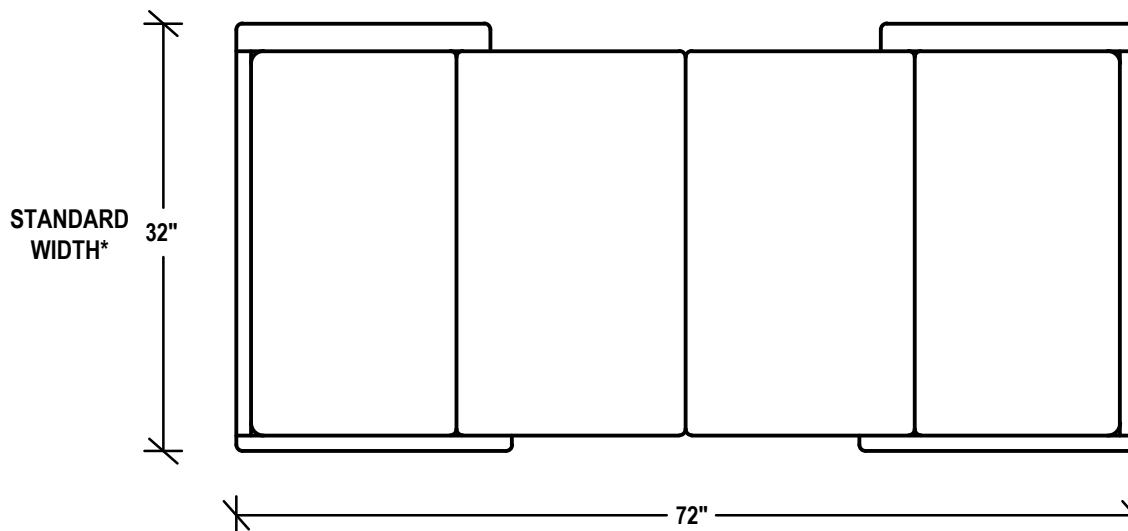
Please indicate the approximate location, shape and size of any obstructions that might interfere with the placement of your face-to-face dinette in the diagram here. Use the space below to provide a brief description.

**SIDE VIEW**



**TOP VIEW**

(seats extend to form sleeping position)



\* The above dimensions are general specifications only; normal variations are to be expected due to differences in upholstery types.

## 2. INDICATE DESIRED OPTIONS

Check the appropriate boxes for the optional features you would like included in your dinette.

Face-to-Face Dinette \$1,295

Check the Appropriate Options:

Drawers (pair) \$150

Laminate Table \$325

Subtotal \_\_\_\_\_

Premium Upholstery Choices:

Ultraleather \$925

All leather \$1,625

(See Shipping Chart for your local rates and include the amount here) Shipping: \_\_\_\_\_

Total: \_\_\_\_\_