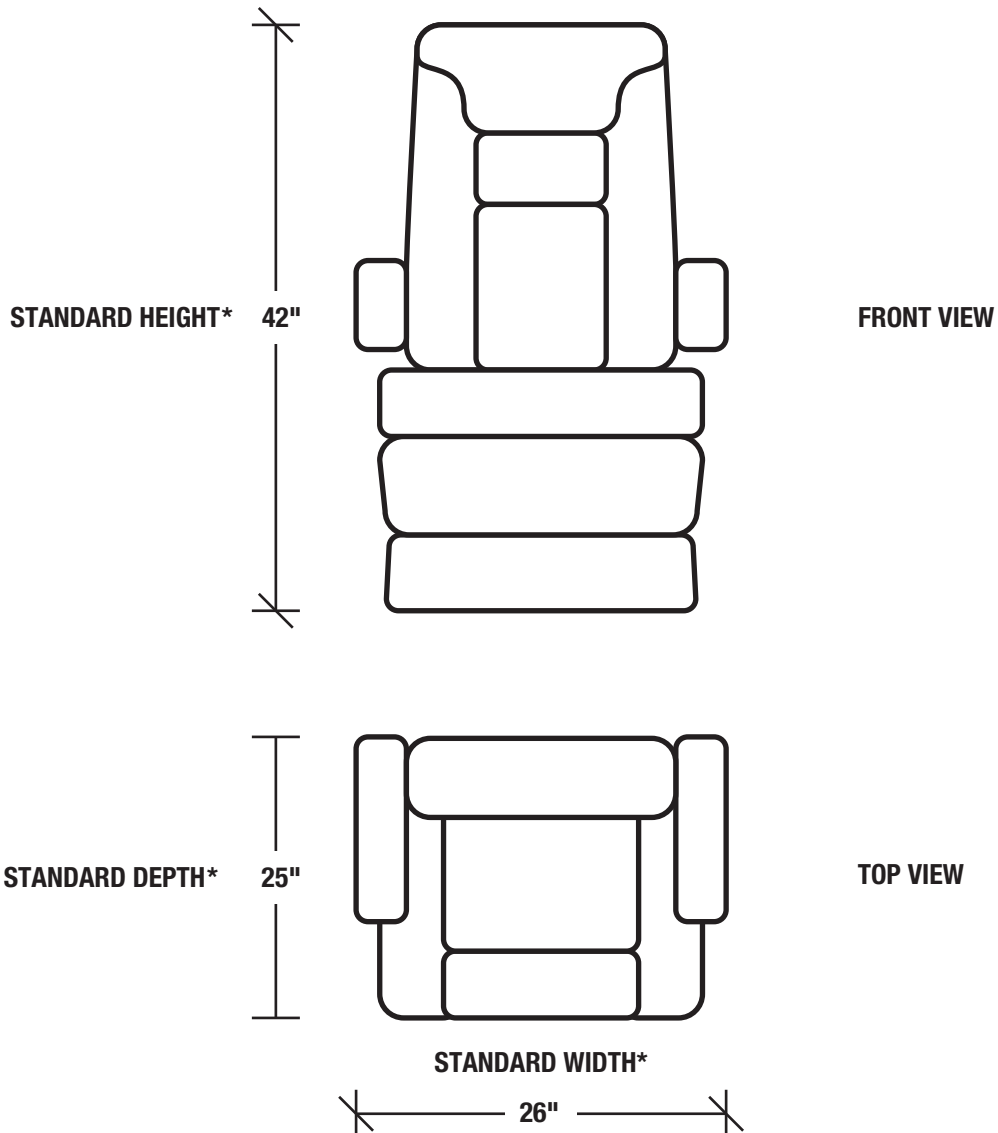


First Name:	Last Name:	
Street Address:		
City:	State:	Zip:
Phone:		
Motor Coach Brand:	Model:	

1. CHECK FOR OBSTRUCTIONS

Please indicate the approximate location, shape and size of any obstructions that might interfere with the placement of your driver or passenger seat in the diagram here. Use the space below to provide a brief description.



* The above dimensions are general specifications only, and normal variations are to be expected due to differences in upholstery types.

